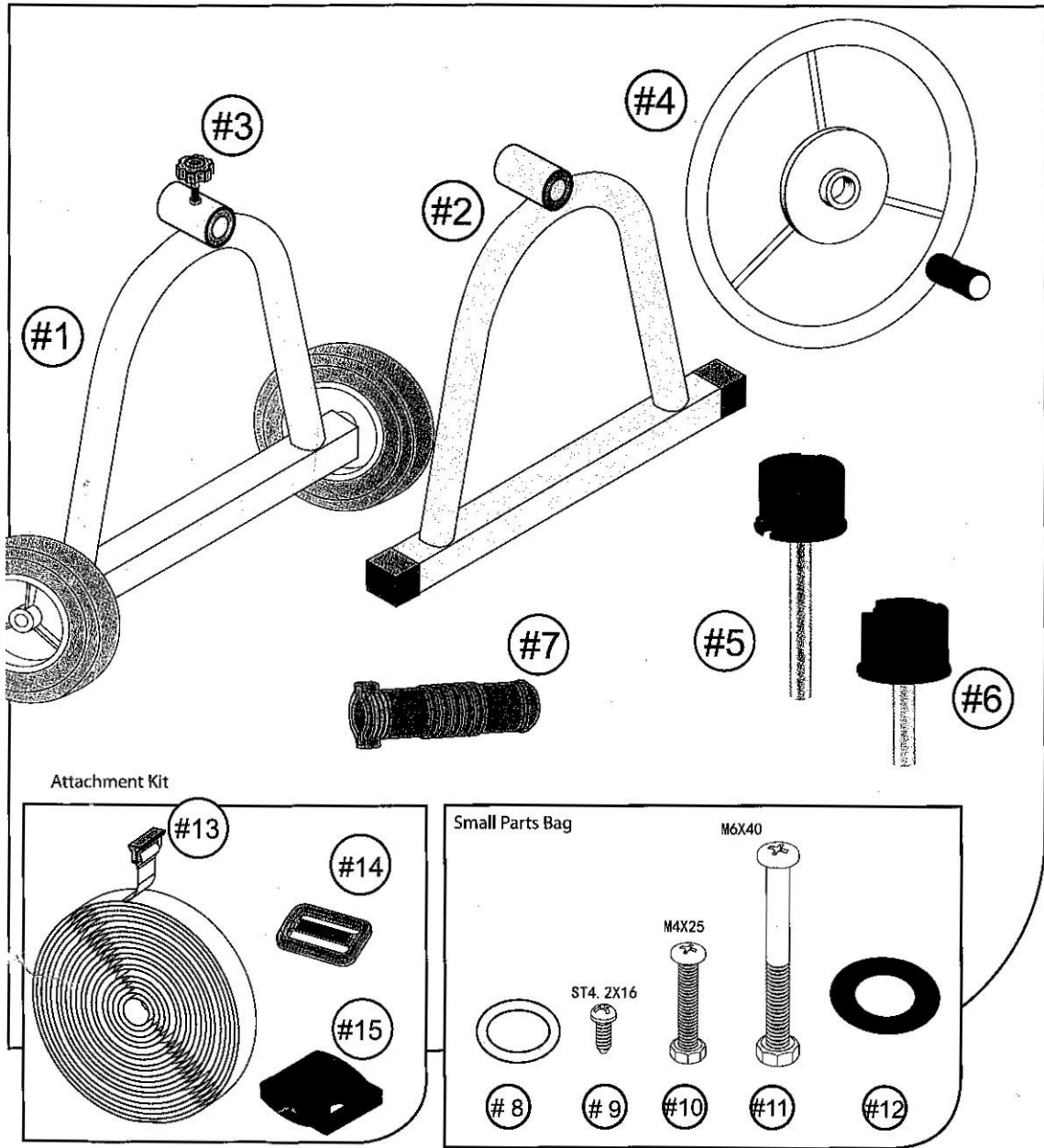


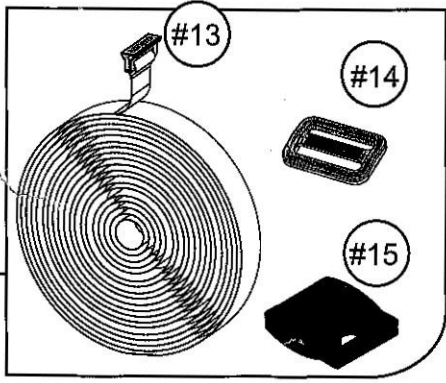
Above Ground Roller Installation Guide

1

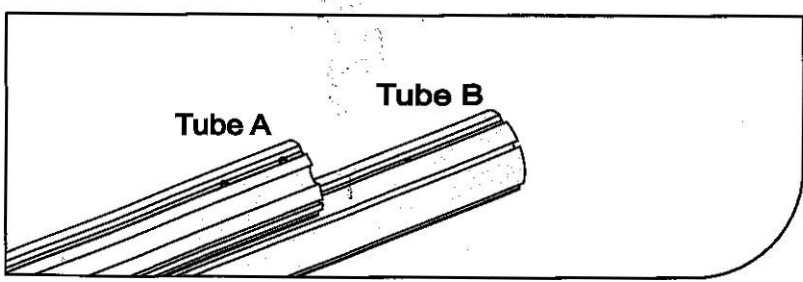
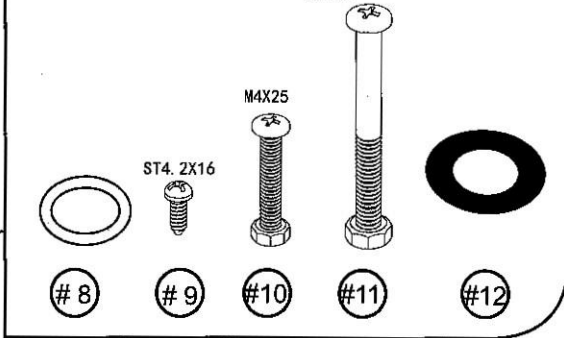


Ref	Qty
#1	1
#2	1
#3	1
#4	1
#5	1
#6	1
#7	1
#8	1
#9	6
#10	1
#11	1
#12	2
#13	8
#14	8
#15	8

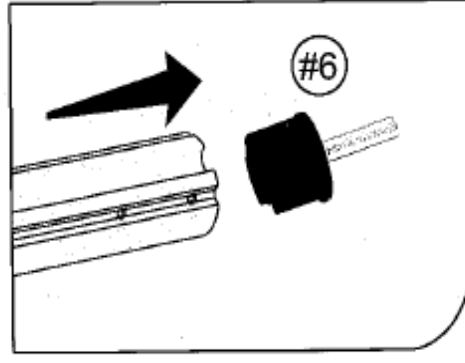
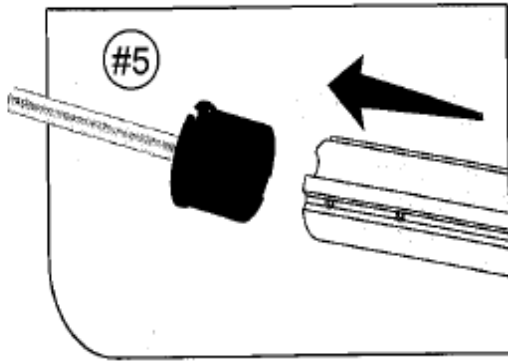
Attachment Kit



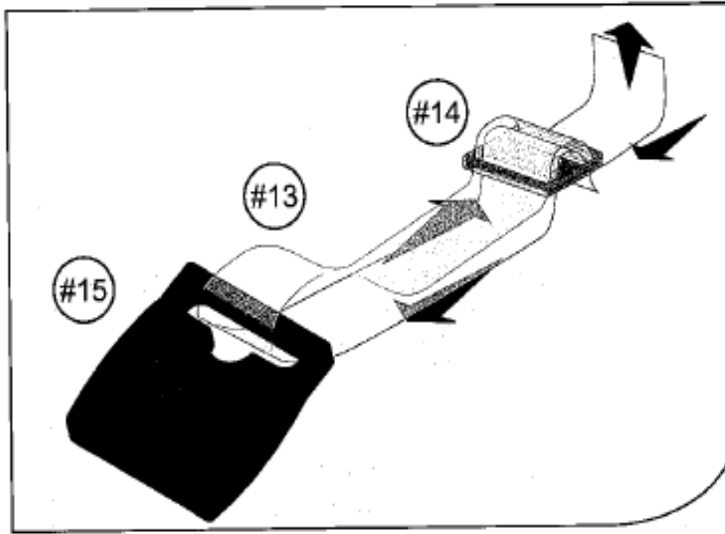
Small Parts Bag



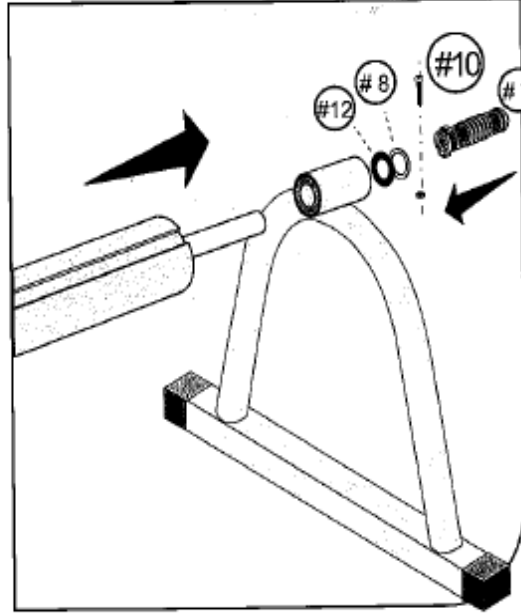
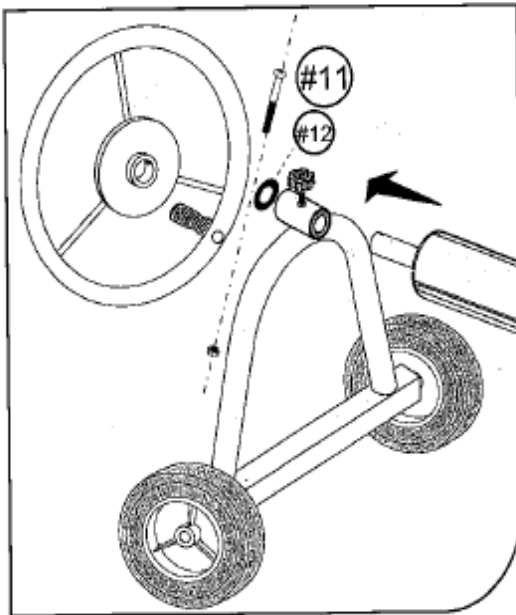
CR17-2



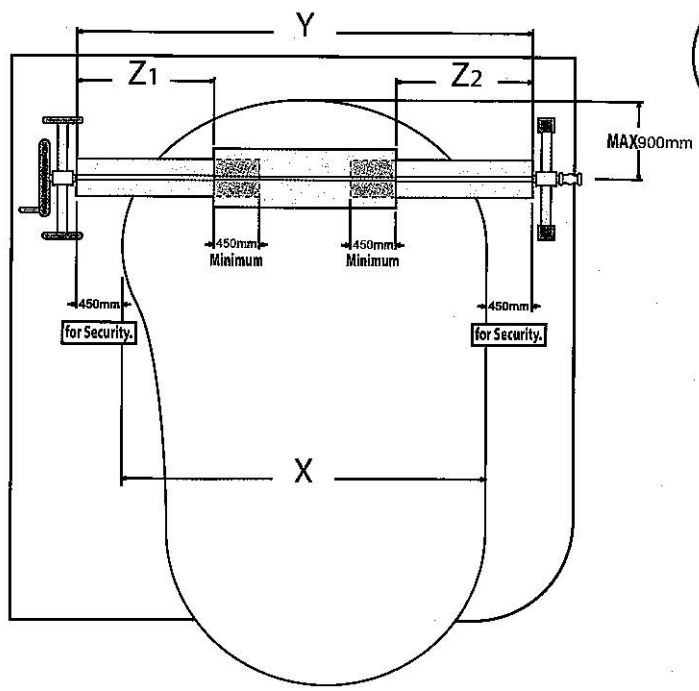
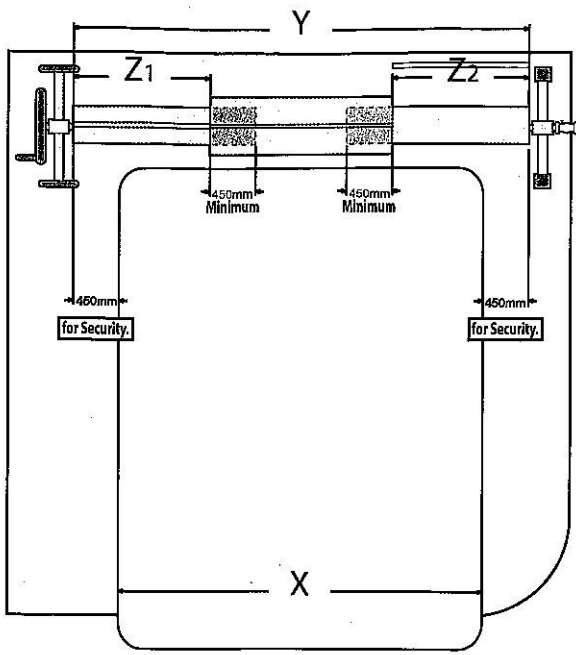
2



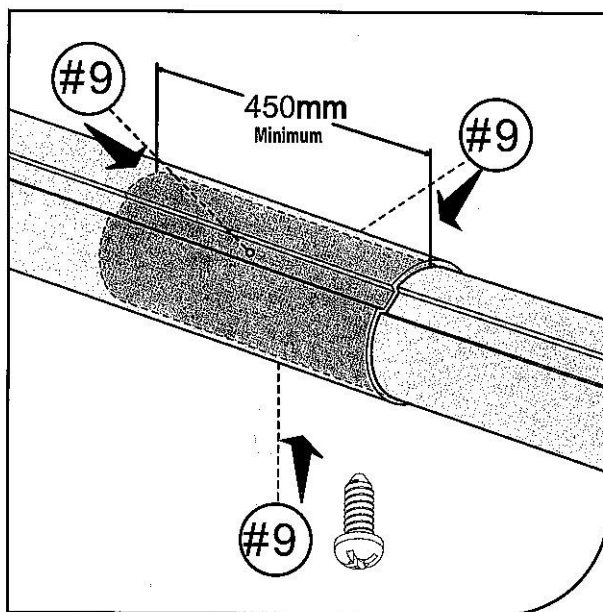
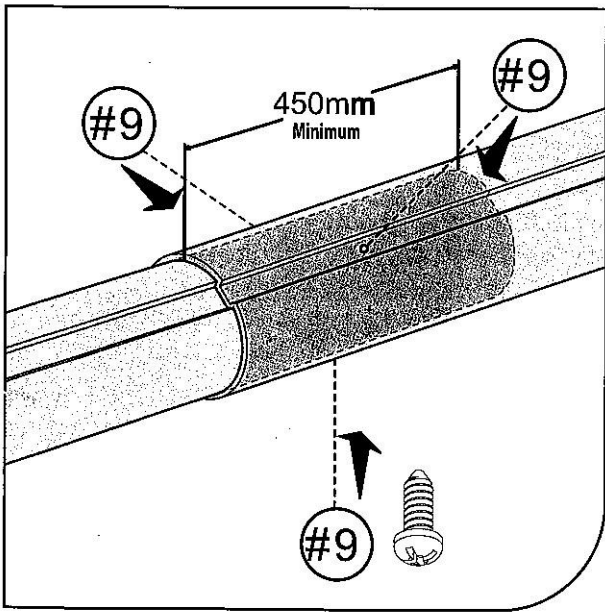
3



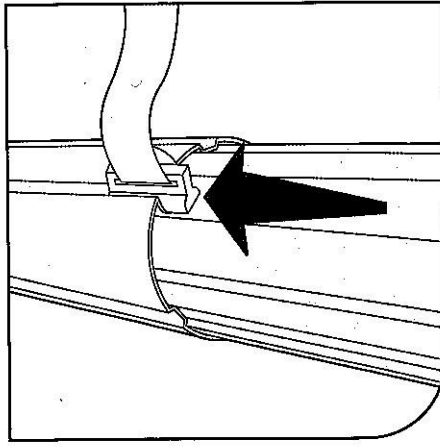
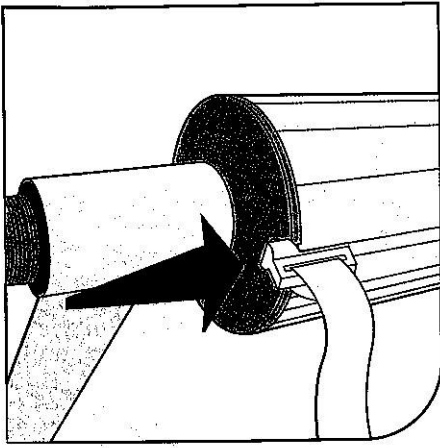
4



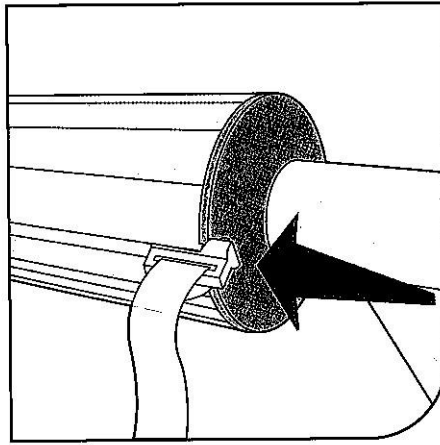
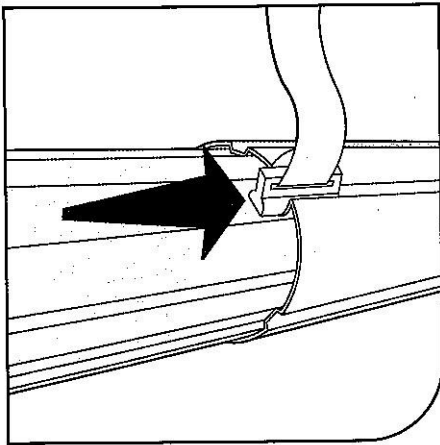
5



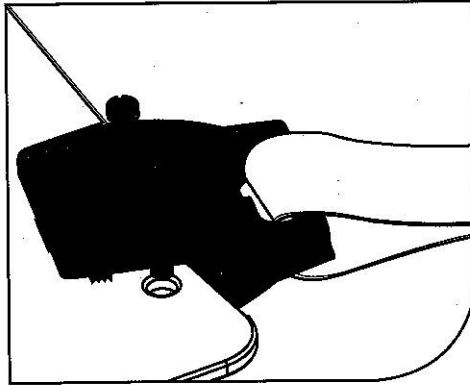
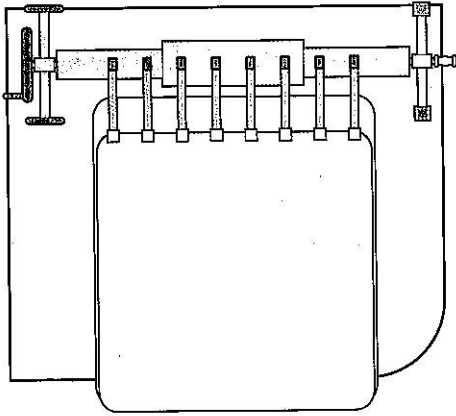
6



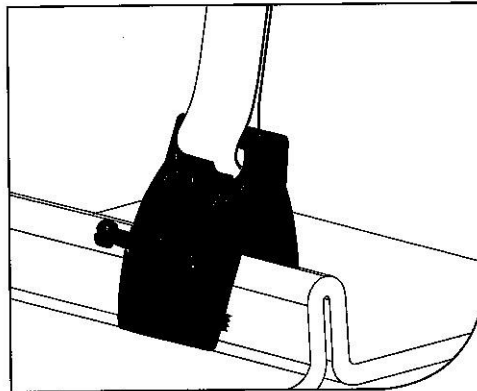
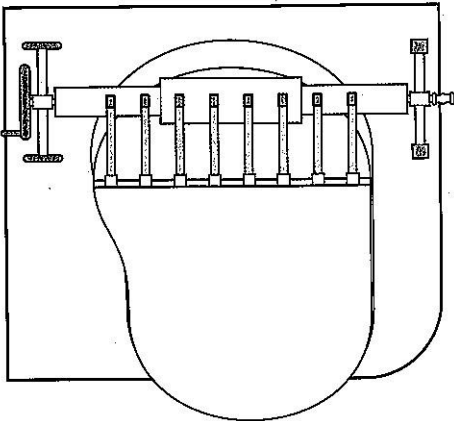
7



8



9 a



9 b