

PREMIUM ABOVE GROUND ROLLER INSTALLATION GUIDE

A. Strap Kit
(Consists of 6x straps)



B. 4x Lockable Caster Wheels.



C. 2x Tube Ends



D. 12x Self tapping screws



E. Roller Handle



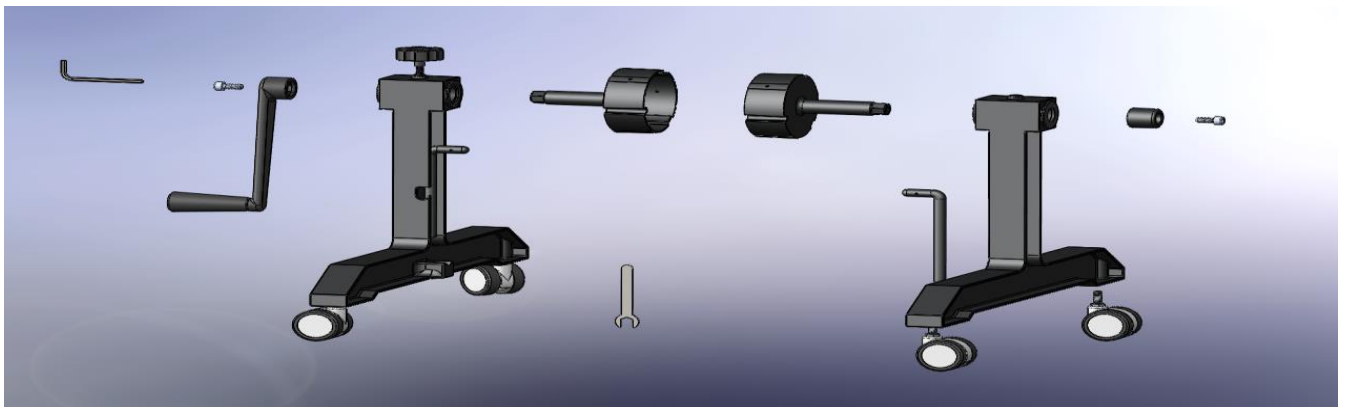
F. 2x Roller Ends



G. 3x Telescopic Tubes



H. Roller lock





World-First
Patented Technology



12 Year Pro Rata
Warranty



Tested
Independently



Australian
Designed & Made

Instructions

Step 1: Remove the black screws from the tops of the roller ends (Photo F) to allow for the tube ends to slide through

Step 2: Remove the screws from the tube ends (photo C) and slide the tube ends into the roller ends (photo F) from the 'inside'. One tube end will have an aluminium piece attached to it by the screw. Once that tube end is placed through the roller end, reattach the aluminium piece with the same screw using the Allen Key provided.



Step 2: Place the roller handle onto the other tube end without the aluminium piece. Using the screw that was removed from the tube end, screw the roller handle to the tube end using the Allen key.





World-First
Patented Technology



12 Year Pro Rata
Warranty



Tested
Independently



Australian
Designed & Made

Step 3: Screw the roller lock (Photo H) onto the roller end, be sure to use the side with the roller handle. The black screw that was removed in Step 1 can be screwed back into the end without the roller lock



Step 4: Using the spanner provided, screw the lockable caster wheel (Photo B) into the bottom of the roller end, repeat for all 4 wheels.





World-First
Patented Technology



12 Year Pro Rata
Warranty



Tested
Independently



Australian
Designed & Made

Step 5: There are three telescopic tubes, two are slightly skinner than the other tube (Photo G). Using the larger tube, slide the skinnier telescopic tubes into either end until you reach the desired size roller.



Step 6: Once you are happy with the size of your roller, use the self tapping screws (Photo D) on the middle tube to secure the other tubes into place. Do this on the flat ridges of the tube, two on either end. There should be a total of 4 screwed in.





World-First
Patented Technology



12 Year Pro Rata
Warranty



Tested
Independently



Australian
Designed & Made

Step 7: Insert the straps from the strap kit (Photo A) into the thin opening on the tube. The placement varies on the size of your pool blanket. A guide is two on each of the three tubes.



Step 8: Insert the tube into the tube ends





World-First
Patented Technology



12 Year Pro Rata
Warranty



Tested
Independently



Australian
Designed & Made

Step 9: Using the self tapping screws, secure the tubes into the tube ends. Use three screws on each end.



Completed:

