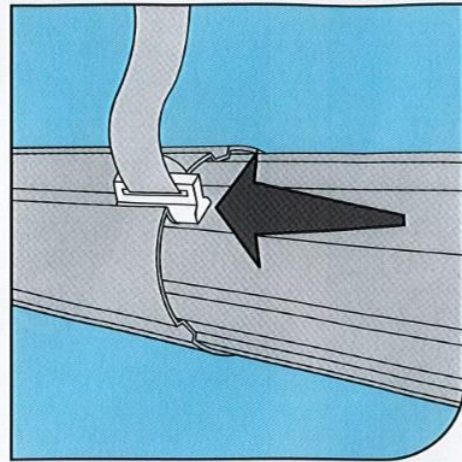
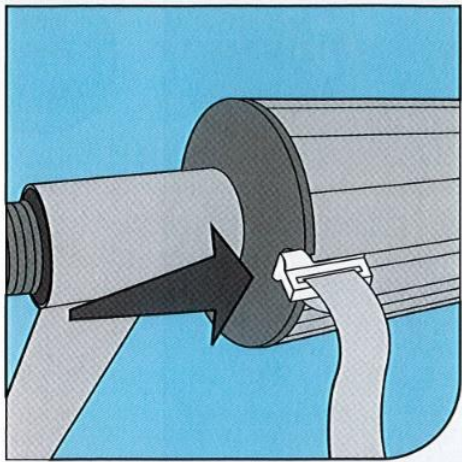
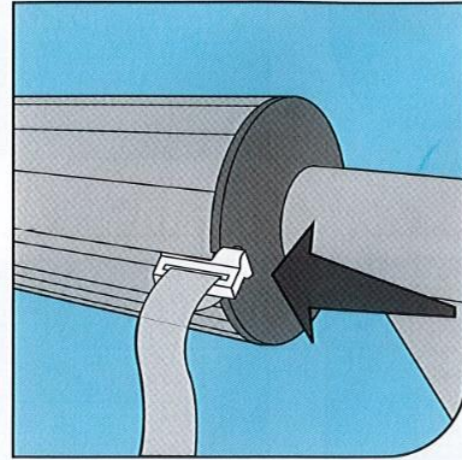
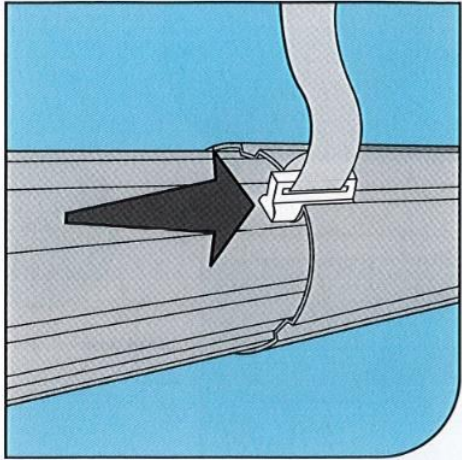


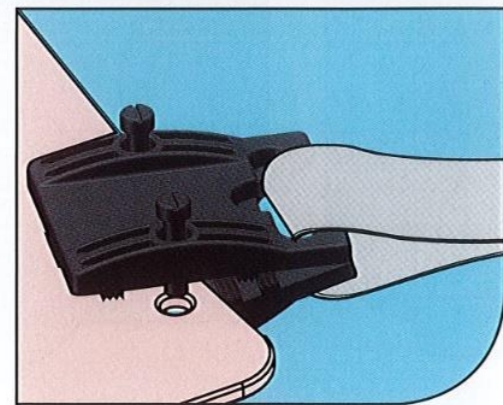
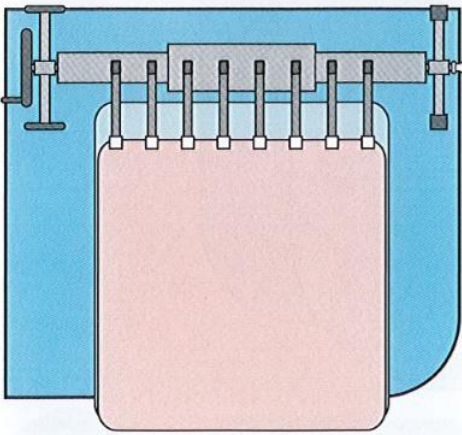
SUNLINE ABOVE GROUND ROLLER INSTALLATION GUIDE



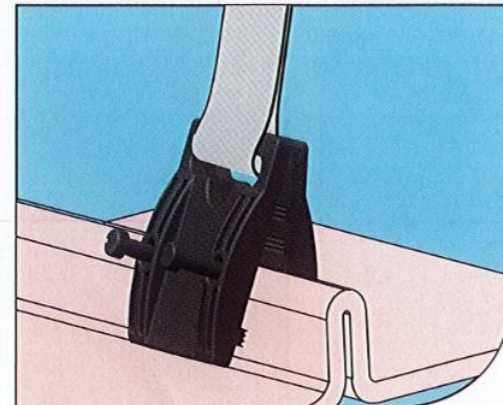
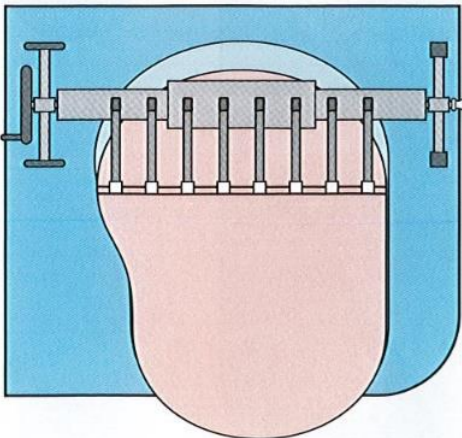
8



9

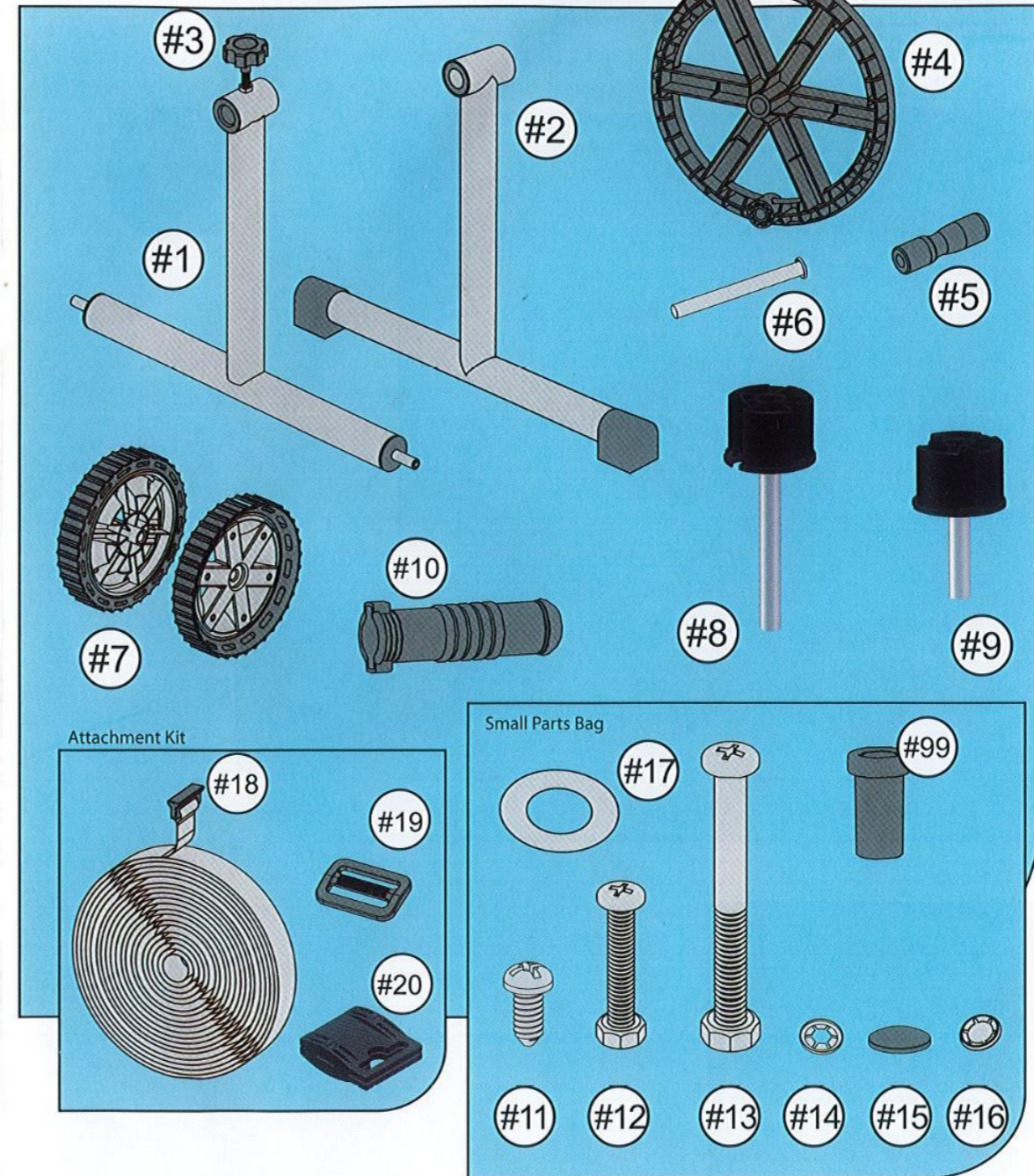


10a

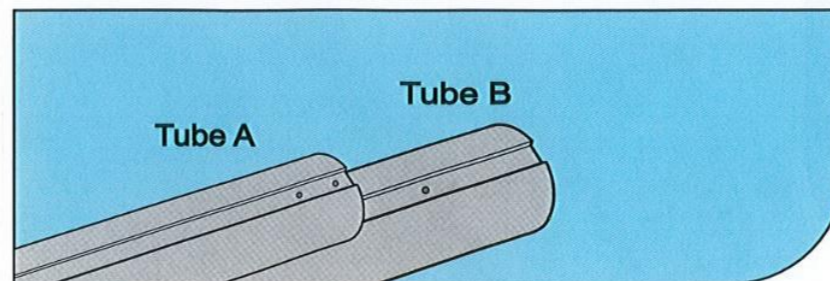


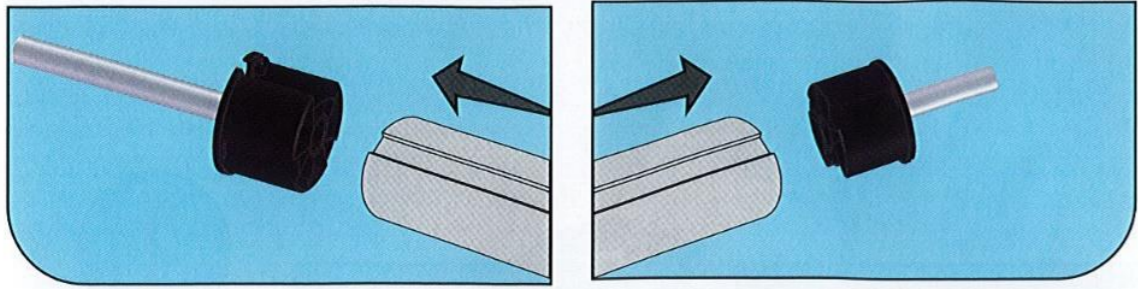
10b

1

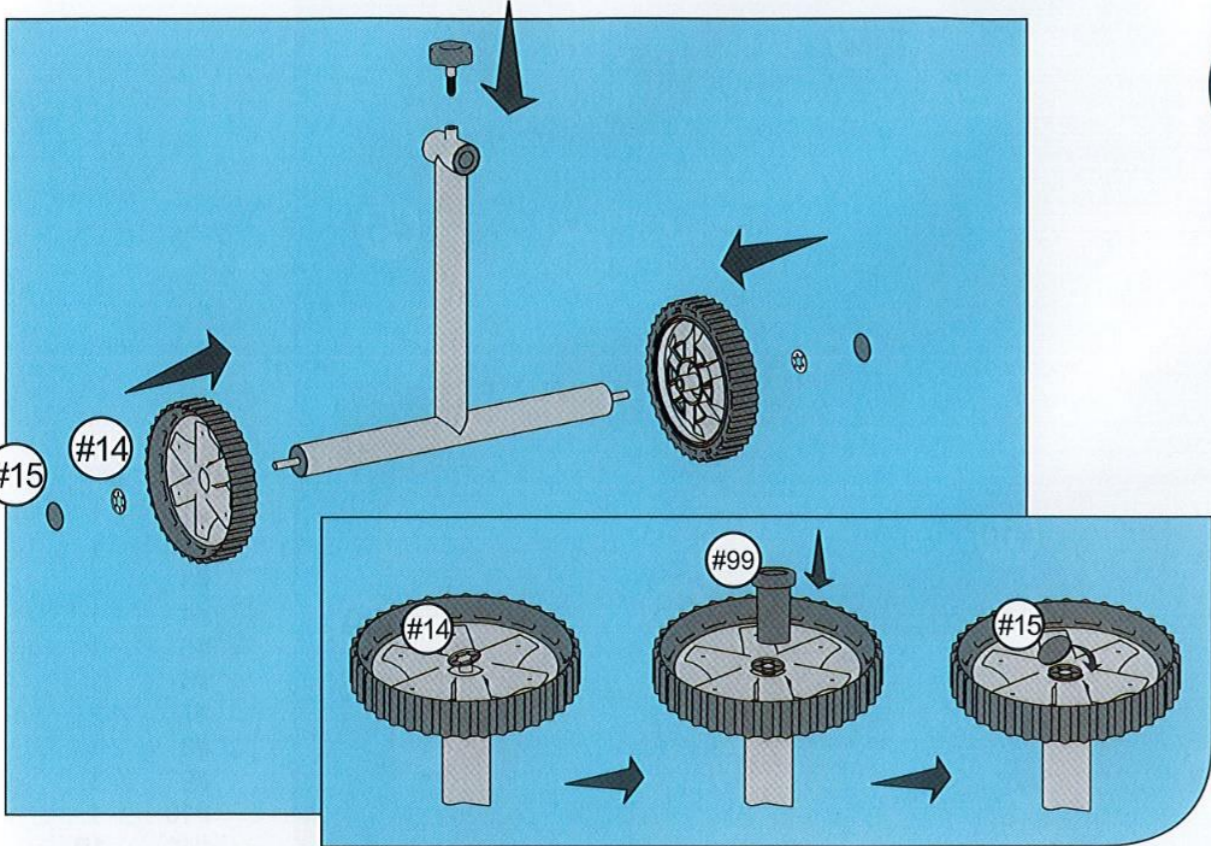


Ref	Qty
#1	1
#2	1
#3	1
#4	1
#5	1
#6	1
#7	2
#8	1
#9	1
#10	1
#11	10
#12	1
#13	1
#14	2
#15	2
#16	1
#17	1
#18	8
#19	8
#20	8
#99	1

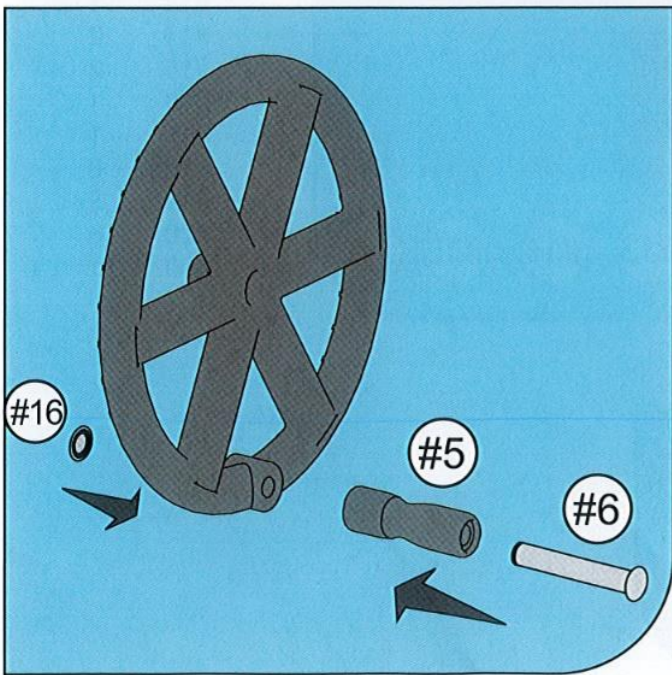




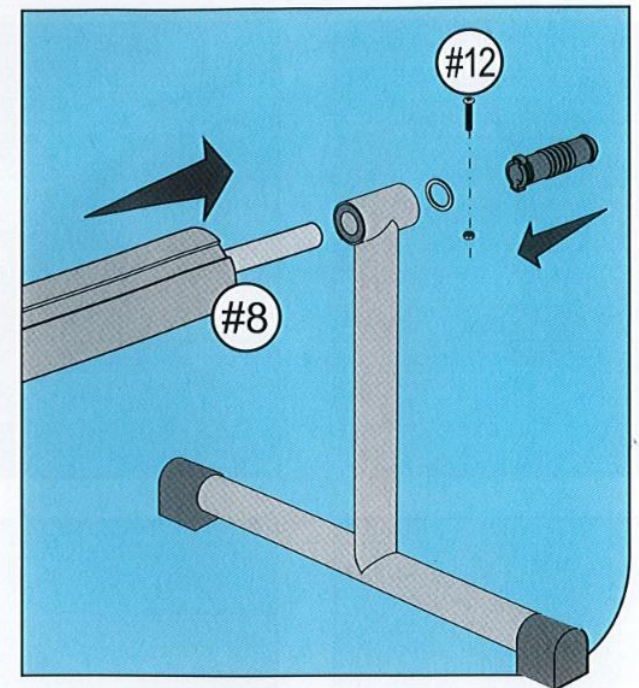
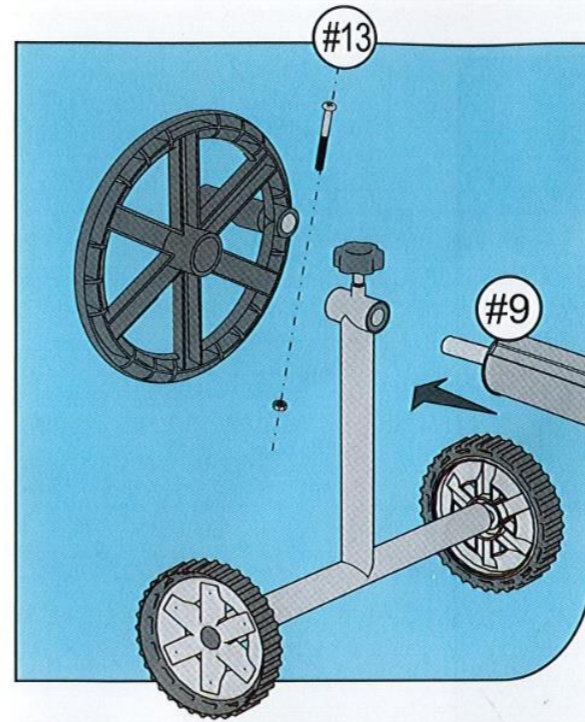
2



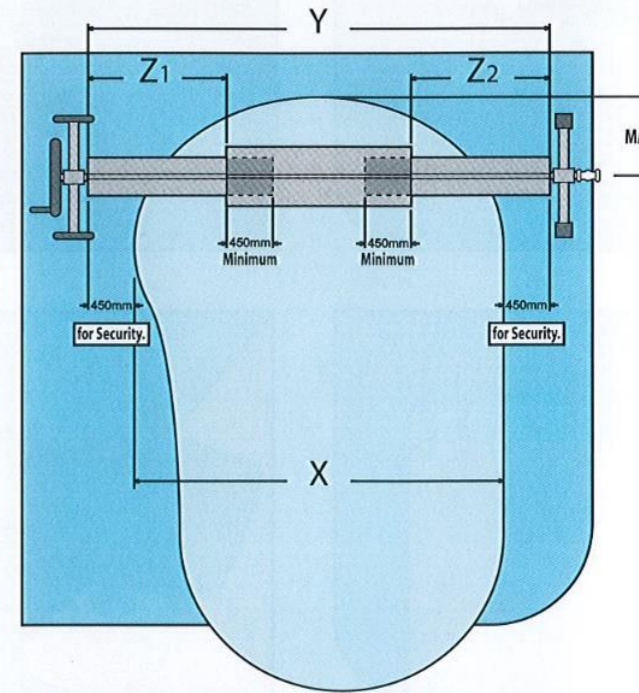
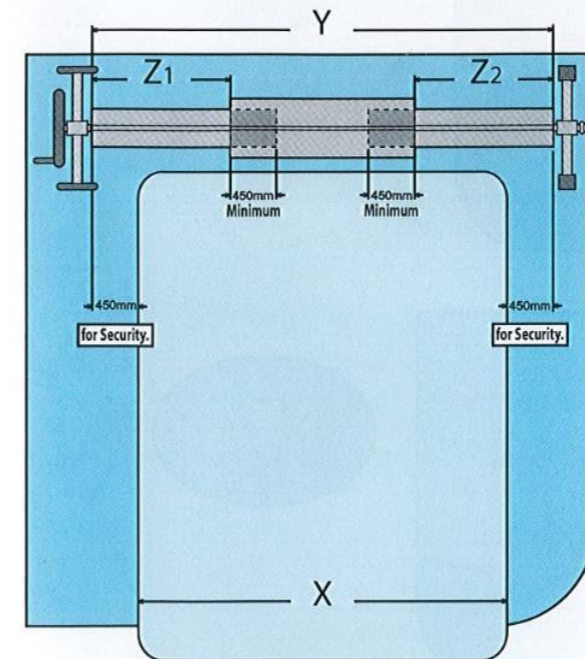
3



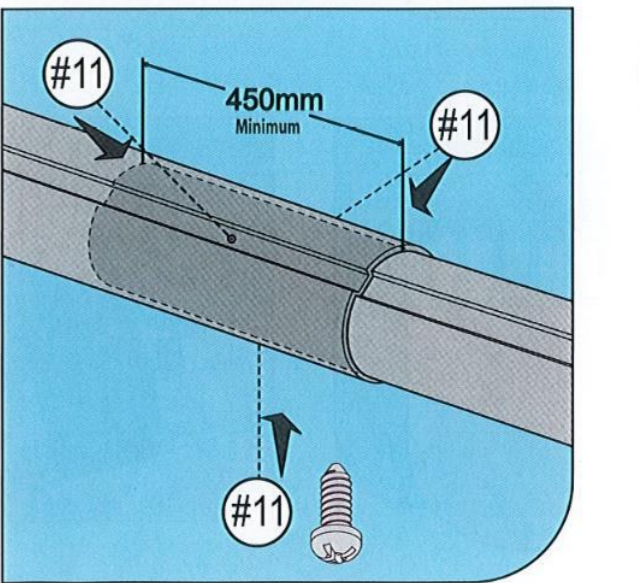
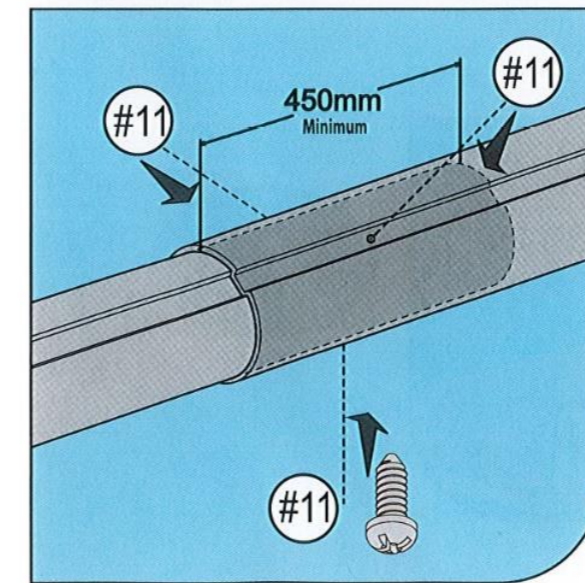
4



5



6



7